

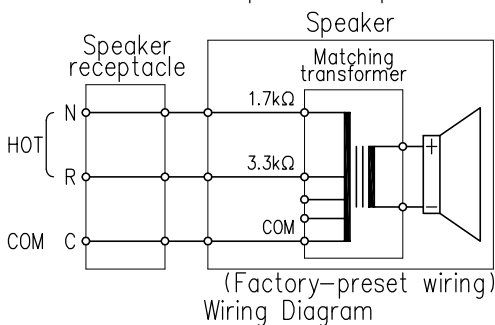
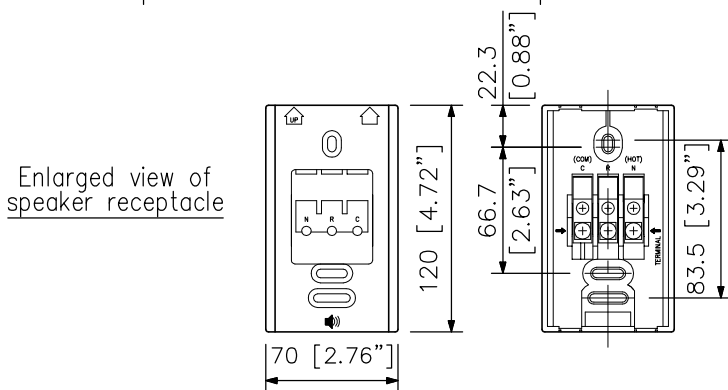
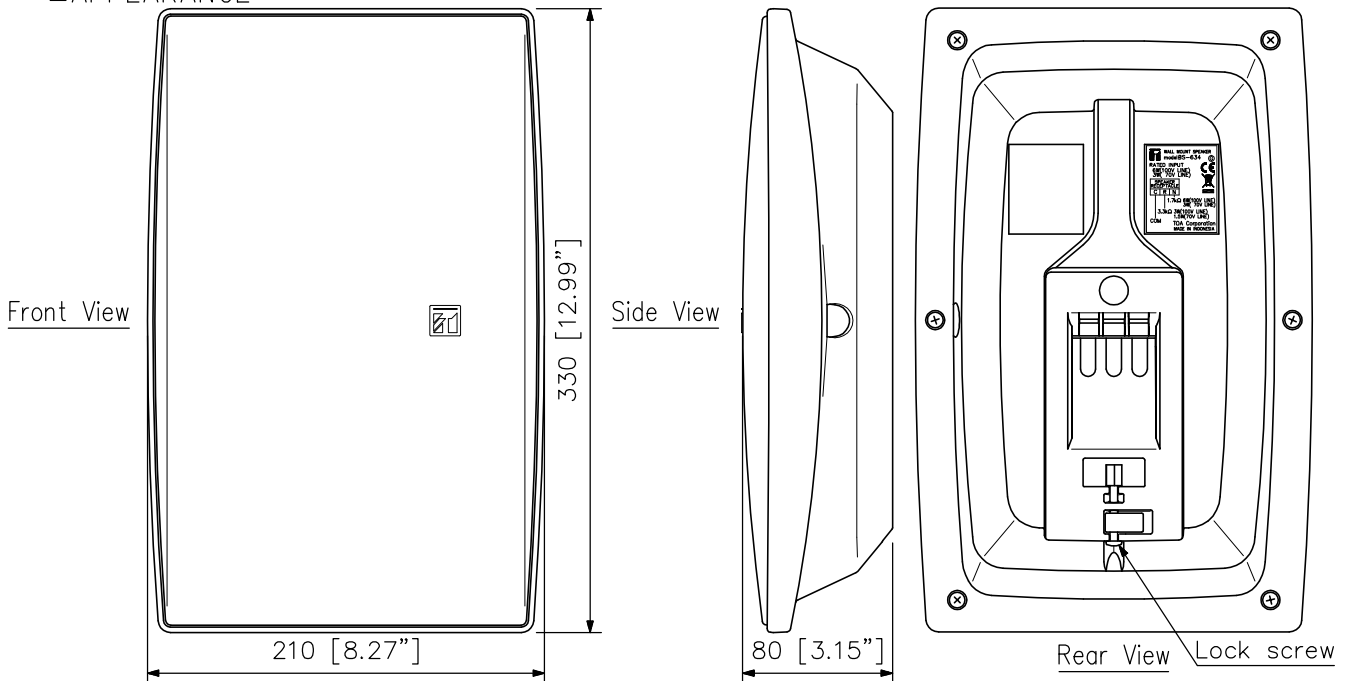
DESCRIPTION

The BS-634 can be installed easily on the wall with help of the plug-in speaker receptacle.

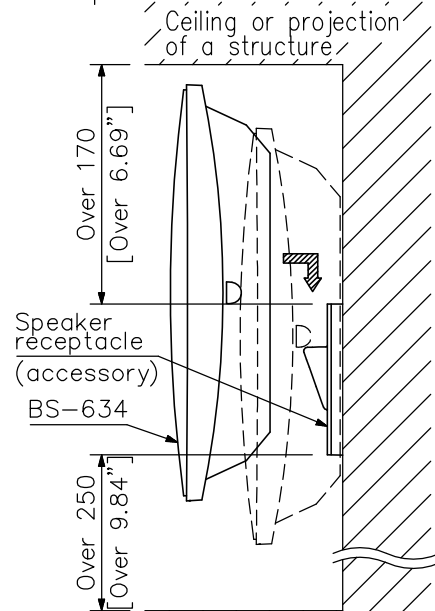
SPECIFICATIONS

Rated Input	6 W
Rated Impedance	100 V line: 1.7 kΩ (6 W), 3.3 kΩ (3 W) 70 V line: 1.7 kΩ (3 W), 3.3 kΩ (1.5 W)
Sensitivity	90 dB (1 W, 1 m)
Frequency Response	120 - 18,000 Hz
Speaker Component	12 cm (5") cone-type
Input Connector	M4 screw terminal, distance between barriers: 11 mm (0.43")
Finish	Enclosure: HIPS resin (fire resistant grade UL94 V-0 or its equivalent), off-white (RAL 9010 or equivalent color) Net: Surface-treated steel plate, off-white (RAL 9010 or equivalent color), paint
Dimensions	210 (W) X 330 (H) X 80 (D) mm (8.27" X 12.99" X 3.15")
Weight	1.3 kg (2.87 lb)
Accessory	Speaker receptacle --1, Wall mounting screw --2

APPEARANCE



UNIT: mm SCALE: 1/4



Note: As a force of approx. 18 kg (39.68 lb) is applied to the speaker receptacle at the time of speaker installation, attach it in a location durable enough to withstand the force.
Installation view (scale: 1/6)